

## AUTOMATIC VOLTAGE SWITCHER (AVS30 MICRO)

OVER AND UNDER VOLTAGE PROTECTION

### Description

The AVS is an Automatic Voltage Switcher rated at 30 Amps (AVS30). The AVS will switch off the equipment connected to it if the mains power goes outside preset acceptable limits and will re-connect automatically - when the mains power returns to normal. Re-connection takes place after a delay ('the start-up delay') to ensure stability of the mains.

In addition, the start-up delay provides protection against power-back surges commonly experienced after resumption of power in a power cut situation.

Surge and spike protection is also incorporated to ensure protection against these commonly occurring events.

### Function

This new version of the AVS has a built-in micro-processor that has added advanced features to the product. These include;

#### Five voltage indicators

- ✓ The power supply is good and the load is connected.
- Hi** The AVS has detected that the mains voltage is too high and therefore dangerous to your equipment. The AVS has disconnected the power supply.
- Power supply has returned to normal (after an over-voltage condition - see above). The AVS is waiting before the power supply is restored to your equipment.
- Power supply has returned to normal (after an under-voltage condition - see below). The AVS is waiting before the power supply is restored to your equipment.
- Lo** The AVS has detected low voltage condition and has disconnected the power to your equipment to protect against it.



### LOAD ON/OFF Switch

Using this button you can switch your equipment On or Off. If the switch is in the off position (Indicator off), press the switch to turn the equipment on. PLEASE NOTE THAT THE EQUIPMENT WILL BE CONNECTED AFTER THE DELAY HAS PASSED AS SET BY THE TIME DELAY DIAL.

### Applications

Air-conditioners, large fridge/freezers, whole office, and complete circuits.

### Tips

Direct wiring adds security of installation.

#### Protection against:



High Voltage



Low Voltage



Spikes/Surges

Power-Back  
Surges8/20µs  
Class III  
Surge/Spike

#### Features



#### Protection for



Sollatek (UK) Ltd. Unit 10, Poyle 14, Newlands Drive, Poyle, Slough, SL3 0DX, UK

Tel: +44 (0)1753 688300 Fax: +44 (0)1753 685306 Technical support: support@sollatek.com Sales: sales@sollatek.com www.sollatek.com

## Specifications

Model	AVS30	
Nominal Voltage	110V	230V
Watts	3300	7200
Frequency	50/60 Hz	
Load Current (Amps)	30	30
Inrush Current (20ms)	110 Amps	
Max consumption (milli Amps)	<100mA	
Wait Time	10s -10m plus manual	
Over-Voltage Disconnect	230V-300V plus off	
Over-Voltage Reconnect	2V below HVD setting	
Under-Voltage Disconnect	150 - 230V	
Under-Voltage Reconnect	5V above LVD setting	
Max supply	160V	320V
Spike / surge protection		
Joules	80	160
Amps	6500A (8/20us)	
Response	10 nanosecs	
Response time (over voltage)	<20 millisecc	
Response time (under voltage)	adjustable 05 - 10 secs	
Brown-out response time	20 millisecc	
Approx packed weight	600 g	
Dimensions packed (mm)	H 2305 x W 135 x D 55	
Shipping quantity per carton	40	
Shipping carton dimensions (mm)	H 590 x W 540 x D 250	
Socket type	direct via brass screw terminal	

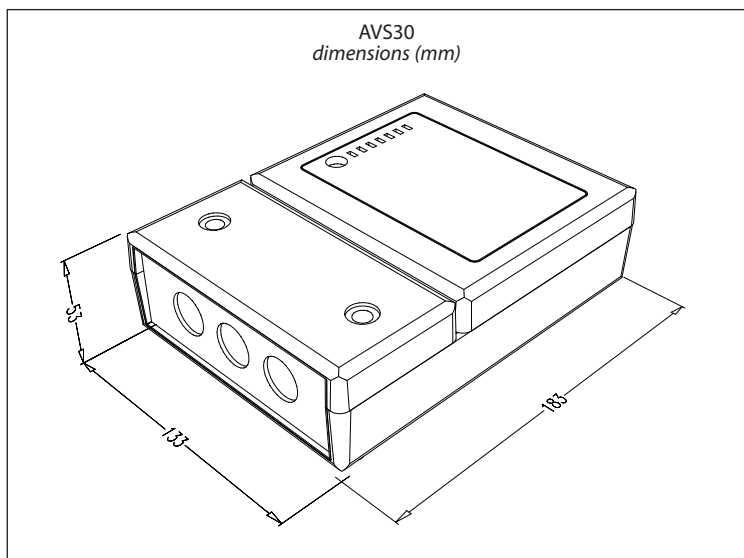


## TIMESAVE™ description

The Voltshield has a built-in microprocessor which adds the advanced feature TimeSave.™ TimeSave™ means that when the mains returns to normal, the Voltshield checks the duration of the OFF time. If the unit has been off for more than 3 minutes then it will reconnect the mains within 30 seconds rather than the standard 3 minutes. This means the Sollatek Voltshield will give you more vital working time than any other switcher.

## The VOLTSHIELD features

- Protects and prolongs the useful life of electrical appliances
- Eliminates the need to switch off appliances every time the electricity fails
- Safeguards valuable electrical appliances at all times
- Very low cost protection in relation to the value of appliances
- Different models available



**ITEM**  
AVS30 – Direct wiring

**PRODUCT CODE**  
91300000



For more information on Sollatek's voltage protection refer to the VP Catalogue. or visit [www.sollatek.com](http://www.sollatek.com)

**Sollatek™**  
the power to protect