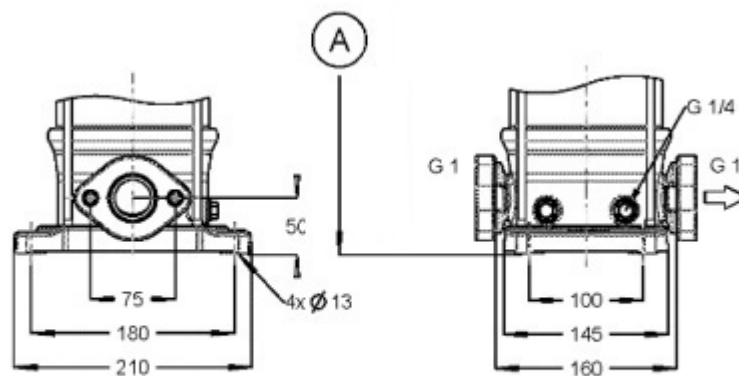
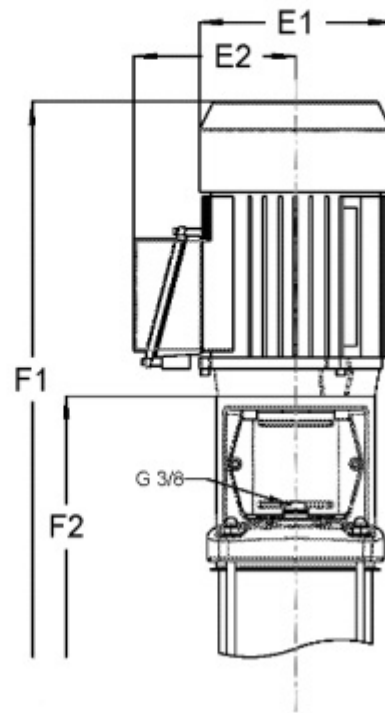


Dimensions sheet

Part number **290042251040A**

Description **DPV 4/4 B~Oval G 1~0,55kW 230/400V~50Hz 2P~IEC 71C~~Fixed Ca SiC EPDM**

Vertical centrifugal pump, suction and discharge connections in-line.



Motor width (E1)	134mm
Motor width (E2)	107mm
Total height (F1)	545mm
Total height (F2)	302mm
Total net weight	19kg