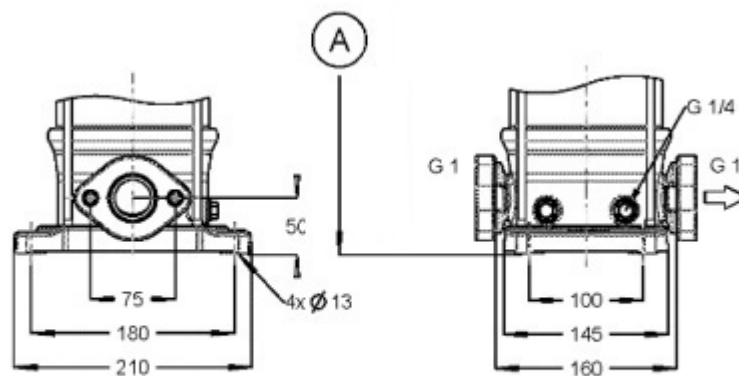
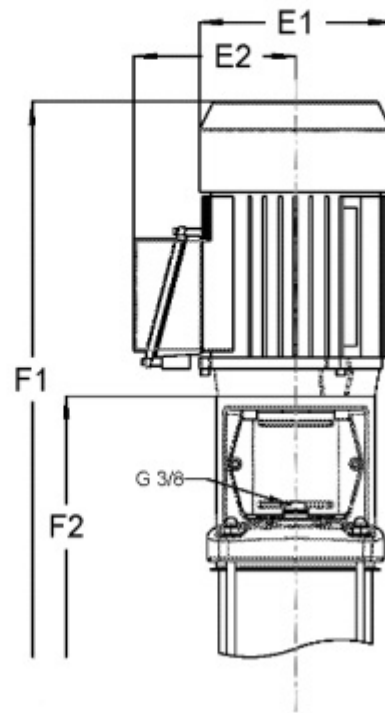


Dimensions sheet

Part number **290042251090U**

Description **DPV 4/9 B~Oval G 1~1,5kW 230/400V~50Hz 2P~IEC 90S~IE3~Fixed Ca SiC EPDM**

Vertical centrifugal pump, suction and discharge connections in-line.



Motor width (E1)	185mm
Motor width (E2)	139mm
Total height (F1)	710mm
Total height (F2)	429mm
Total net weight	33kg