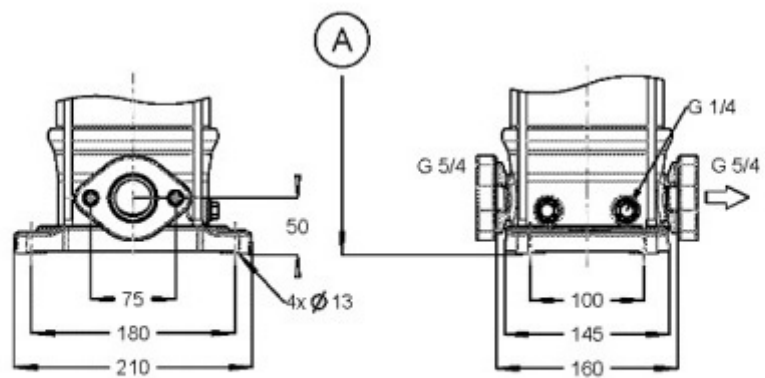
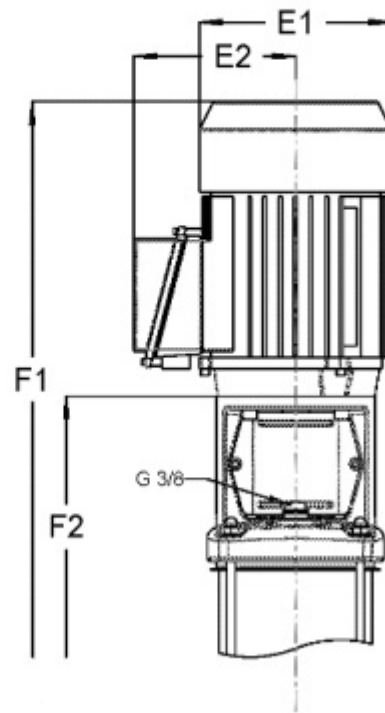


Dimensions sheet

Part number **290062251140V**

Description **DPV 6/14 B~Oval G 5/4~3kW 400/690V~50Hz 2P~IEC 100L~IE3~Fixed SiC Ca EPDM**

Vertical centrifugal pump, suction and discharge connections in-line.



Motor width (E1)	199mm
Motor width (E2)	150mm
Total height (F1)	913mm
Total height (F2)	596mm
Total net weight	47kg