

EN
NEW



JSW[®] 2AH



 **PEDROLLO[®]**
... the spring of life

NEW

TECHNICAL CHARACTERISTICS

- ▶ New self-priming electric water pumps
- ▶ Original design by Pedrollo (patented)
- ▶ Maximum head 70 metres
- ▶ Impeller in stainless steel AISI 304
- ▶ Registered models

INSTALLATION AND USE

Suitable for use with clean water and liquids that are not chemically aggressive towards the materials from which the pump is made. The self-priming **JSW** pumps are designed to pump water even in cases where air is present. As a result of their reliability and the fact that they are easy to use, they are recommended for use in domestic applications such as the distribution of water in combination with small or medium sized pressure sets, and for the irrigation of gardens and allotments, etc.

APPLICATION LIMITS

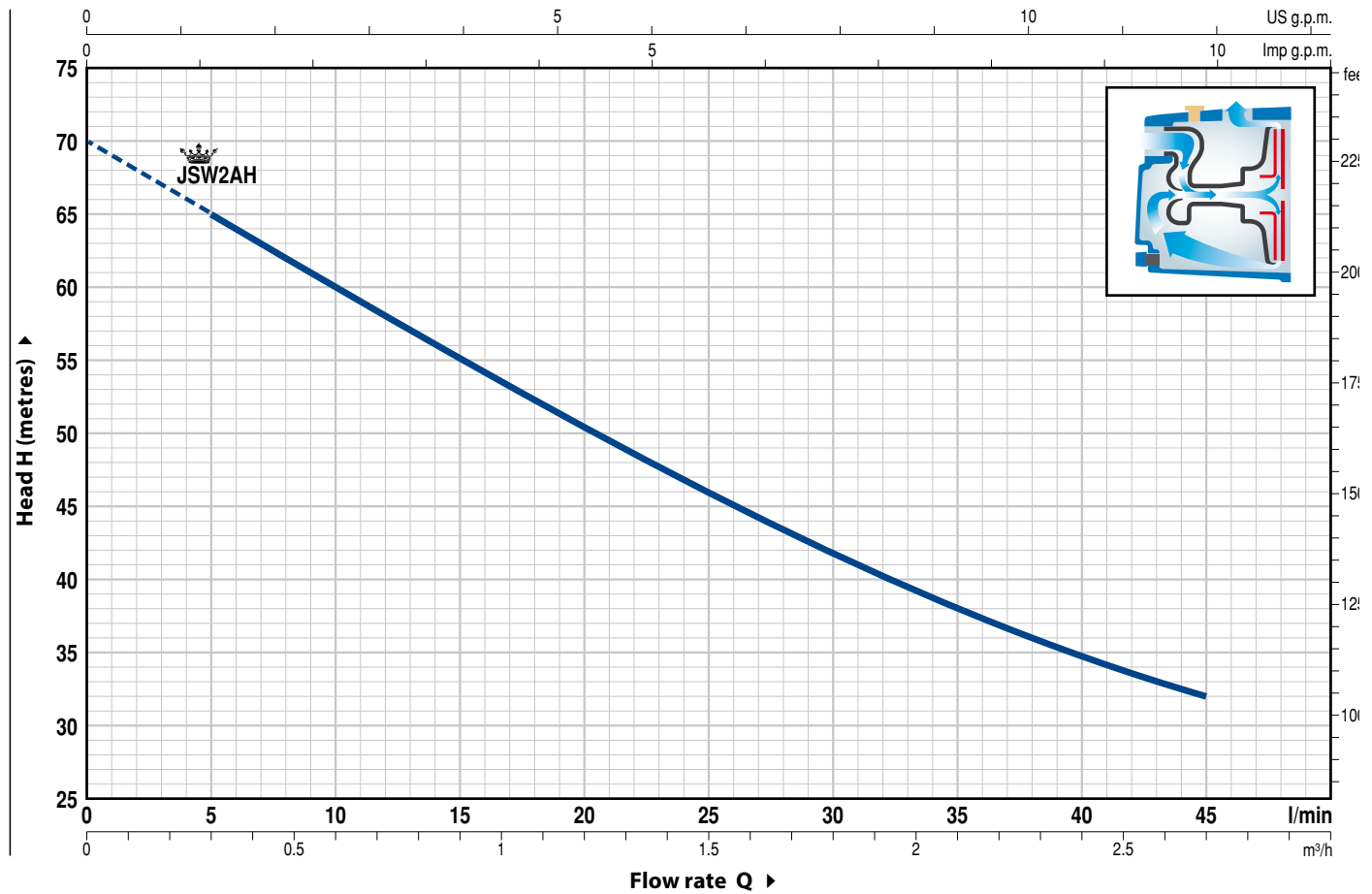
- Manometric suction lift up to **9 m (HS)**
- Liquid temperature between **-10 °C** and **+40 °C**
- Ambient temperature up to **+40 °C**
- Max. working pressure **7 bar**
- Continuous service **S1**

PATENTS - TRADE MARKS - MODELS

- Registered model  JSW[®]
- Registered Community Design n° 002218610
- European Patent n° 1 510 696

CHARACTERISTIC CURVES AND PERFORMANCE DATA

50 Hz n = 2900 1/min HS = 0 m



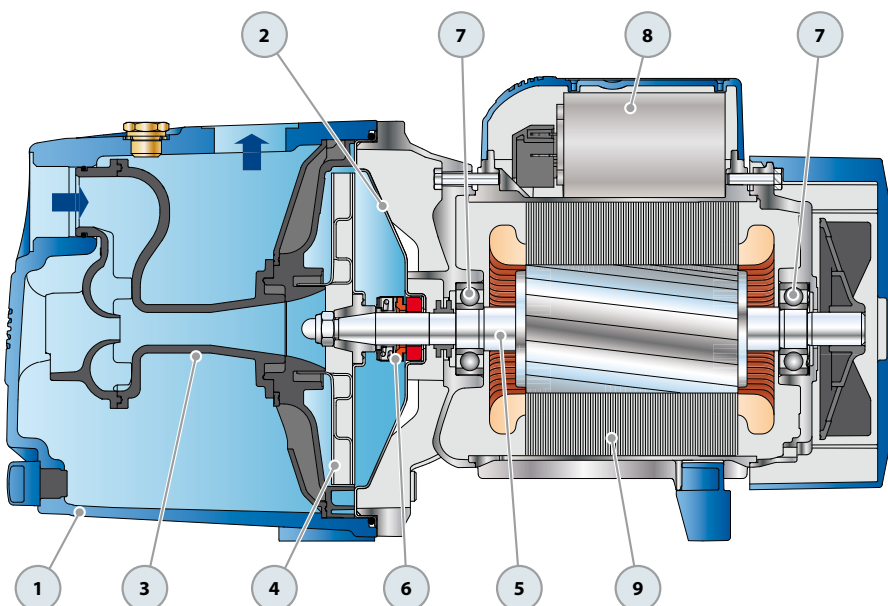
MODEL		POWER		Q	0	0.3	0.6	1.2	1.5	1.8	2.1	2.4	2.7
Single-phase	Three-phase	kW	HP		0	5	10	20	25	30	35	40	45
JSWm 2AH	JSW 2AH	1.1	1.5	H metres	70	65	60	50	46	42	38	35	32

Q = Flow rate H = Total manometric head HS = Suction height

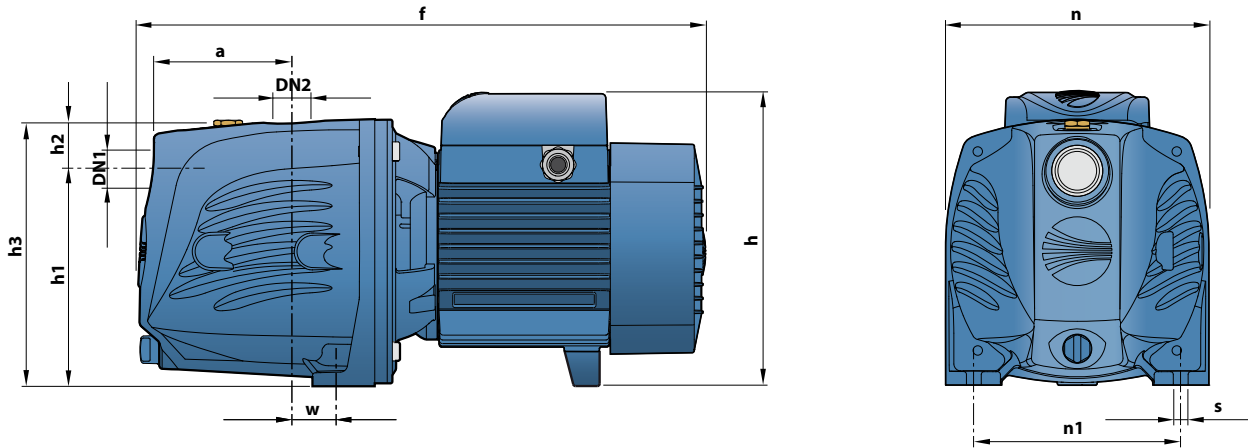
Tolerance of characteristic curves in compliance with EN ISO 9906 Grade 3.

POS. COMPONENT CONSTRUCTION CHARACTERISTICS

1	PUMP BODY	Cast iron, complete with threaded ports in compliance with ISO 228/1				
2	BODY BACKPLATE	Stainless steel AISI 304				
3	NOZZLE ASSEMBLY	Noryl FE1520PW				
4	IMPELLER	Stainless steel AISI 304				
5	MOTOR SHAFT	Stainless steel EN 10088-3 - 1.4104				
6	MECHANICAL SEAL	<i>Seal Model</i>	<i>Shaft Diameter</i>	<i>Stationary ring</i>	<i>Materials Rotational ring</i>	<i>Elastomer</i>
		AR-14	Ø 14 mm	Ceramic	Graphite	NBR
7	BEARINGS	6203 ZZ / 6203 ZZ				
8	CAPACITOR	<i>Capacitance (230 V or 240 V)</i>	<i>(110 V)</i>			
		25 µF 450 VL	60 µF 300 VL			
9	ELECTRIC MOTOR	<p>JSWm: single-phase 230 V - 50 Hz with thermal overload protector built-in to the winding. JSW: three-phase 230/400 V - 50 Hz.</p> <p>➔ Pumps fitted with the three-phase motor option offer IE2 (IEC 60034-30) class high performance. ➔ Stator and rotor are made out of magnetic sheet with low iron loss.</p> <p>- Insulation: F class. - Protection: IP X4.</p>				



DIMENSIONS AND WEIGHT



MODEL		PORTS		DIMENSIONS mm										kg	
Single-phase	Three-phase	DN1	DN2	a	f	h	h1	h2	h3	n	n1	w	s	1~	3~
JSWm 2AH	JSW 2AH	1"	1"	96	388	201	147	33	180	180	142	22	10	14.2	14.3

ABSORPTION

MODEL	VOLTAGE (single-phase)		
Single-phase	230 V	240 V	110 V
JSWm 2AH	6.0 A	5.5 A	12.0 A

MODEL	VOLTAGE (three-phase)					
Three-phase	230 V	400 V	690 V	240 V	415 V	720 V
JSW 2AH	5.1 A	3.0 A	1.7 A	4.9 A	2.8 A	1.6 A

PALLETIZATION

MODEL		GROUPAGE				CONTAINER			
Single-phase	Three-phase	n° pumps	H (mm)	kg		n° pumps	H (mm)	kg	
				1~	3~			1~	3~
JSWm 2AH	JSW 2AH	72	1520	1046	1054	96	1980	1387	1397

