

UPO3 PIVOT SERIES 3/8" NON-METALLIC PUMPS

The 3/8" (9,5 mm) Air Operated Diaphragm Pumps made of injected moulded plastic parts can reach a flow rate up to 31 l/min (8,2 gal/min). They are available in Natural or Conductive Polypropylene, PVDF or Conductive Acetal for optimum fluid compatibility.

Pumps are designed with side off-set threaded inlet and outlet ports, to avoid any material leaks onto the pump. Manifolds can rotate 180° for maximum installation versatility. Additional central inlet port facing downwards gives the possibility to connect a suction tube directly to the pump.



Polypropylene version

Non contractual pictures.

PUMP NOMENCLATURE

Examples: **UPO3B-XXX-XXX**
UE03B-XXX-XXX-X

MAIN APPLICATIONS

- OIL & GAS, PETROCHEMICAL
- PULP & PAPER
- CHEMICAL PLANT PROCESSING
- PAINTS & COATINGS
- TEXTILES, LEATHERS & GARMENTS
- PLANT AND MECHANICAL ENGINEERING
- WASTEWATER & WATER TREATMENT
- MARINE
- ENERGY
- ELECTRONICS

TECHNICAL DATA

UPO3 NON-METALLIC PUMPS

Pressure Ratio	1:1
Maximum Free Delivery	31 l/min (8,2 US gal/min)
Air pressure range	1,5 to 7 bar (20 to 100 psi)
Solids in suspension, Max. size	1,6 mm (1/16")
Max dry suction lift	3 m (10')
Max wet suction lift	7 m (23')
Displacement per cycle*	0,08 l (0,02 gal)
Fluid inlet/outlet ports (Female)	3/8" NPT (F) Threaded 3/8" BSP (F) Threaded
Air Inlet Port (Female)	1/4" NPSM (F)
Air Exhaust Port (Female)	1/2" NPT (F)
Sound level	75 dB (A) @50 cycles/min @70 psi
Weight	
Polypropylene version	1,8 kg (4 lb)
Conductive Polypropylene version	2 kg (4,4 lb)
PVDF version	2,3 kg (5,1 lb)
Conductive Acetal version	2,1 kg (4,6 lb)

* Delivery per cycle depends on the diaphragms material, air inlet pressure and fluid viscosity.

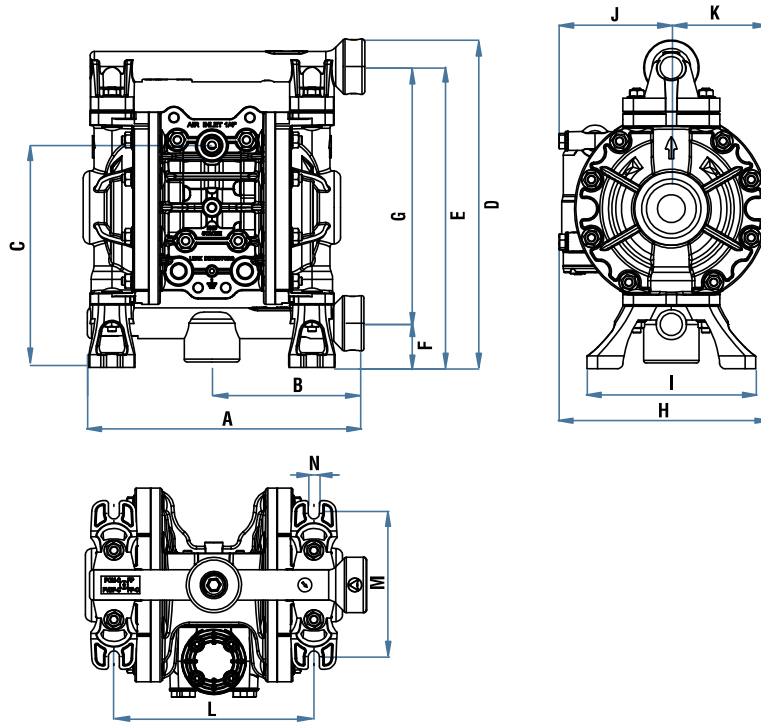
UPO3B		XXX			XXX			X
PUMP TYPE		AIR MOTOR	HOUSINGS		WETTED PARTS			ACCESSORIES
1 Pump Type & Size	2 Central Body & Air Chambers	3 Fluid Ports / Location Multiport manifolds: central and lateral	4 Fluid Chambers & Manifolds	5 Hardware Bolts & Inserts	6 Valve Seats	7 Valve Balls	8 Diaphragms Type & Material	9 Accessories (UE pumps only)
UPO3 Universal Pump (Bolted) UE03 Universal Pump (Bolted) with electronic interface	ATEX Certified B* = Conductive Polypropylene (black)	B = 3/8" BSP threaded ports N = 3/8" NPT threaded ports	P = Polypropylene (white) W = PVDF (Kynar®) (white) <hr/> ATEX Certified B* = Conductive Polypropylene (black) D* = Conductive Acetal (black)	S = Stainless Steel	C = Acetal P = Polypropylene T = PTFE (Teflon®)	C = Acetal T = PTFE (Teflon®)	A = Santoprene® C = Hytrel® G = Nitrile (Buna-N) Two piece Z = PTFE (Teflon® with Santoprene® backer)	A = Diaphragm leak detectors B = Diaphragm leak detectors (ATEX) C = Stroke sensor (PLC) D = Stroke sensor (ATEX) E = Stroke sensor (ATEX) F = Diaphragm leak detectors + Stroke sensor G = Diaphragm leak detectors + Stroke sensor (PLC) H = Diaphragm leak detectors + Stroke sensor (ATEX)

* **ATEX Certified pumps** for use in hazardous locations ATEX Group II 2GDx.

Hytrel® is a registered trademark of the DuPont Company, Vitor® & Teflon® of the Chemours Company and Santoprene® of the Monsanto Company, licensed for Advanced Elastomer Systems, L.P. Kynar® is a registered trademark of Arkema, Inc.

UP03 PIVOT SERIES, 3/8" NON-METALLIC PUMPS

Non-metallic threaded pumps



DIMENSIONS (mm)

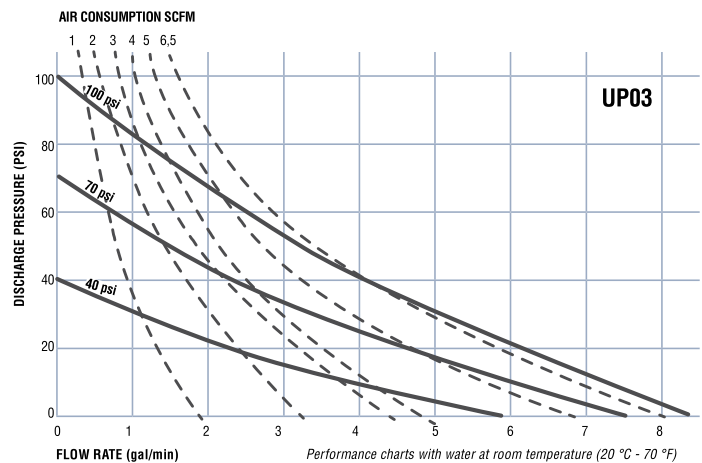
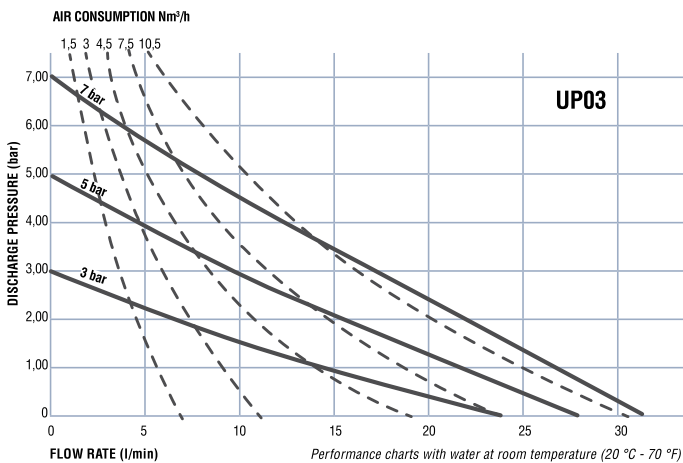
UP03 PUMP

	A	B	C	D	E	F	G	H	I	J	K	L	M	N
UP03 PUMP	202	110	161	237	217	32	185	151	122	81	70	145	104	8

DIMENSIONS (inches)

UP03 PUMP

	A	B	C	D	E	F	G	H	I	J	K	L	M	N
UP03 PUMP	7.95	4.33	6.34	9.33	8.54	1.26	7.28	5.95	4.80	3.19	2.76	5.71	4.09	0.32



AVAILABLE VERSIONS

THREADED PUMPS



Polypropylene



Conductive Polypropylene



PVDF



Conductive Acetal