

UPO5 PIVOT SERIES 1/2" NON-METALLIC PUMPS

The 1/2" (13 mm) Air Operated Diaphragm Pumps made of injected moulded plastic parts can reach a flow rate up to 51 l/min (13,5 gal/min). They are available in Natural or Conductive Polypropylene, PVDF or Conductive Acetal for optimum fluid compatibility.

Multiple threaded discharge and outlet port options provide maximum installation versatility. Manifolds can rotate 180° for more installation options and an inlet port looking downwards give the possibility of connecting a suction tube directly to the pump.



Polypropylene version

Non contractual pictures.

PUMP NOMENCLATURE

Examples: **UP05B-XXX-XXX**
UE05B-XXX-XXX-X

MAIN APPLICATIONS

- OIL & GAS/PETROCHEMICAL
- PLANT AND MECHANICAL ENGINEERING
- MINING & CONSTRUCTION
- WASTEWATER & WATER TREATMENT
- PULP & PAPER
- MARINE
- CHEMICAL PLANT PROCESSING
- ENERGY
- PAINTS & COATINGS
- ELECTRONICS
- TEXTILES, LEATHERS & GARMENTS

TECHNICAL DATA

UPO5 NON-METALLIC PUMPS

Pressure Ratio	1:1
Maximum Free Delivery	51 l/min (13,5 US gal/min)
Air pressure range	1,5 to 7 bar (20 to 100 psi)
Solids in suspension, Max. size	2,5 mm (3/32")
Max dry suction lift	5 m (16')
Max wet suction lift	8 m (26')
Displacement per cycle*	0,15 l (0,04 gal)
Fluid inlet/outlet ports (Female)	1/2" NPT (F) Threaded
	1/2" BSP (F) Threaded
Air Inlet Port (Female)	1/4" NPSM (F)
Air Exhaust Port (Female)	1/2" NPT (F)
Sound level	75 dB (A) @50 cycles/min@70 psi
Weight	
Polypropylene version	2,7 kg (6 lb)
Conductive Polypropylene version	3 kg (6.6 lb)
PVDF version	3,7 kg (8.2 lb)
Conductive Acetal version	3,3 kg (7.3 lb)

* Delivery per cycle depends on the diaphragms material, air inlet pressure and fluid viscosity.

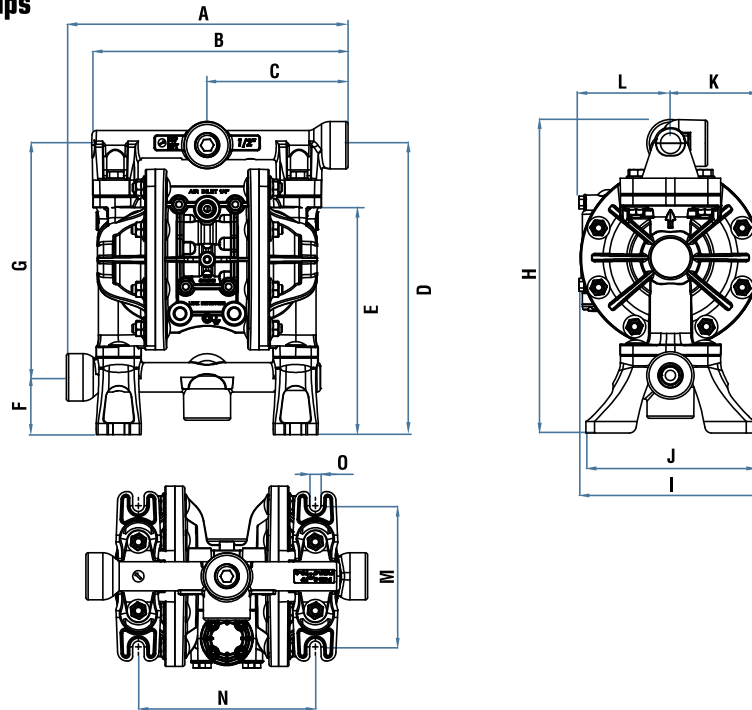
UPO5B		XXX			XXX			X
PUMP TYPE	AIR MOTOR	HOUSINGS			WETTED PARTS			ACCESSORIES
1 Pump Type & Size	2 Central Body & Air Chambers	3 Fluid Ports / Location Multiport manifolds: central and lateral	4 Fluid Chambers & Manifolds	5 Hardware Bolts & Inserts	6 Valve Seats	7 Valve Balls	8 Diaphragms Type & Material	9 Accessories (UE pumps only)
UP05 Universal Pump (Bolted) UE05 Universal Pump (Bolted) with electronic interface	ATEX Certified B* = Conductive Polypropylene (black)	B = 1/2" BSP threaded ports N = 1/2" NPT threaded ports	P = Polypropylene (white) W = PVDF (Kynar®) (white) <hr/> ATEX Certified B* = Conductive Polypropylene (black) D* = Conductive Acetal (black)	S = Stainless Steel	C = Acetal P = Polypropylene T = PTFE (Teflon®)	H = Hytrel® M = Santoprene® N = Nitrile (Buna-N) T = PTFE (Teflon®) V = FKM (Viton®)	A = Santoprene® C = Hytrel® G = Nitrile (Buna-N) V = FKM (Viton®) Two piece Z = PTFE (Teflon® with Santoprene® backer)	A = Diaphragm leak detectors B = Diaphragm leak detectors (ATEX) C = Stroke sensor D = Stroke sensor (PLC) E = Stroke sensor (ATEX) F = Diaphragm leak detectors + Stroke sensor G = Diaphragm leak detectors + Stroke sensor (PLC) H = Diaphragm leak detectors + Stroke sensor (ATEX)

* **ATEX Certified pumps** for use in hazardous locations ATEX Group II 2GDx.

Hytrel® is a registered trademark of the DuPont Company, Viton® & Teflon® of the Chemours Company and Santoprene® of the Monsanto Company, licensed for Advanced Elastomer Systems, L.P. Kynar® is a registered trademark of Arkema, Inc.

UP05 PIVOT SERIES, 1/2" NON-METALLIC PUMPS

Non-metallic threaded pumps



DIMENSIONS (mm)

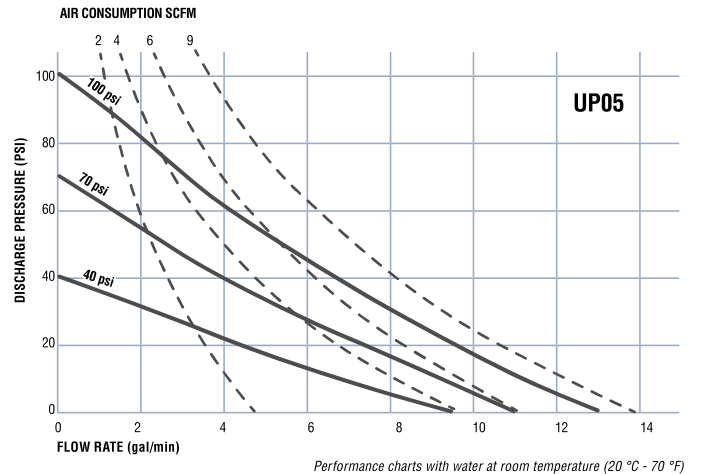
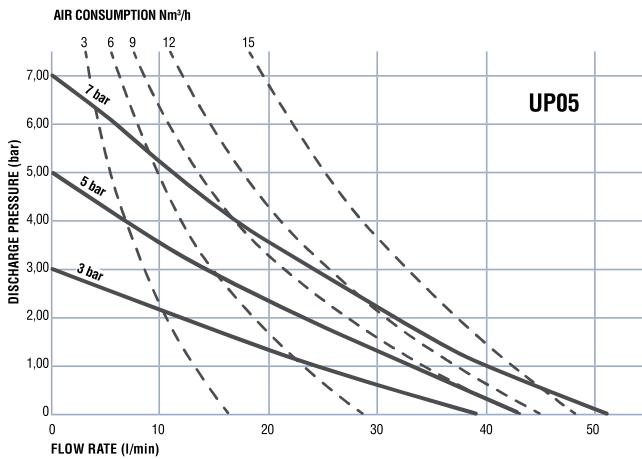
UP05 PUMP

	A	B	C	D	E	F	G	H	I	J	K	L	M	N	O
UP05 PUMP	250	228	125	257	200	51	206	278	161	150	80	81	125	157	10

DIMENSIONS (inches)

UP05 PUMP

	A	B	C	D	E	F	G	H	I	J	K	L	M	N	O
UP05 PUMP	9.84	8.98	4.92	10.12	7.87	2.01	8.11	10.95	6.34	5.91	3.15	3.19	4.92	6.18	0.39



AVAILABLE VERSIONS

THREADED PUMPS



Polypropylene



Conductive Polypropylene



PVDF



Conductive Acetal