

UP10 PIVOT SERIES 1" METALLIC PUMPS

The 1" (25 mm) Air Operated Double Diaphragm Pumps made of cast metal can reach a flow rate of up to 200 l/min (52 gal/min) and they offer a wide range of construction materials and porting configurations. The pump design ensures high abrasion resistance when pumping abrasive media and low flow resistance.

Multiple threaded inlet and outlet position options provide maximum installation versatility. Manifolds can rotate 180° to increase installation possibilities.



Aluminium version

Non contractual pictures.

MAIN APPLICATIONS

- OIL & GAS, PETROCHEMICAL
- MINING & CONSTRUCTION
- PULP & PAPER
- CHEMICAL PLANT PROCESSING
- PAINTS & COATINGS
- TEXTILES, LEATHERS & GARMENTS
- PLANT AND MECHANICAL ENGINEERING
- WASTEWATER & WATER TREATMENT
- MARINE
- CERAMICS
- ENERGY
- ELECTRONICS
- LUBRICATION EQUIPMENT

TECHNICAL DATA

UP10 METALLIC PUMPS

Pressure Ratio	1:1
Maximum Free Delivery	200 l/min (53 US gal/min)
Air pressure range	1,5 to 8 bar (20 to 120 psi)
Solids in suspension, Max. size	6,4 mm (1/4")
Max dry suction lift	5 m (16')
Max wet suction lift	8 m (26')
Displacement per cycle*	0,85 l (0,2gal)
Fluid inlet/outlet ports (Female)	1" NPT (F) Threaded 1" BSP (F) Threaded
Air Inlet Port (Female)	1/2" NPSM (F)
Air Exhaust Port (Female)	1" NPT (F)
Sound level	75 dB (A) @50 cycles/min @70 psi
Weight	Aluminium version Stainless Steel version
	11,5 kg (25 lb) 17,5 kg (38.6 lb)

* Delivery per cycle depends on the diaphragms material, air inlet pressure and fluid viscosity.

PUMP NOMENCLATURE

Examples: **UP10X-XXX-XXX**
UE10X-XXX-XXX-X

UP10X		XXX			XXX			X
PUMP TYPE		AIR MOTOR	HOUSINGS		WETTED PARTS			ACCESSORIES
1 Pump Type & Size	2 Central Body & Air Chambers	3 Fluid Ports / Location Multiport manifolds: central or lateral	4 Fluid Chambers & Manifolds	5 Hardware Bolts	6 Valve Seats	7 Valve Balls	8 Diaphragms Type & Material	9 Accessories (UE pumps only)
UP10 Universal Pump (Bolted) UE10 Universal Pump (Bolted) with electronic interface	ATEX Certified A* = Aluminium B* = Conductive Polypropylene (black)	B = 1" BSP threaded ports N = 1" NPT threaded ports	ATEX Certified A* = Aluminium S* = AISI 316 Stainless Steel	C = Carbon Steel S = Stainless Steel	A = Aluminium H = Hytrel® M = Santoprene® N = Nitrile (Buna-N) N = Nitrile (Buna-N) T = PTFE (Teflon®) S = AISI 316 Stainless Steel S = AISI 316 Stainless Steel	H = Hytrel® M = Santoprene® N = Nitrile (Buna-N) T = PTFE (Teflon®) S = AISI 316 Stainless Steel V = FKM (Viton®)	A = Santoprene® C = Hytrel® G = Nitrile (Buna-N) V = FKM (Viton®) Two piece Z = PTFE (Teflon® with Santoprene® backer)	A = Diaphragm leak detectors B = Diaphragm leak detectors (ATEX) C = Stroke sensor D = Stroke sensor (PLC) E = Stroke sensor (ATEX) F = Diaphragm leak detectors + Stroke sensor G = Diaphragm leak detectors + Stroke sensor (PLC) H = Diaphragm leak detectors + Stroke sensor (ATEX)

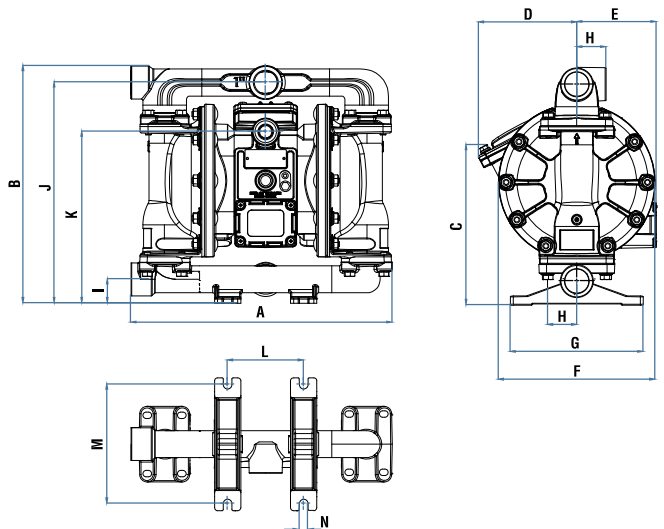
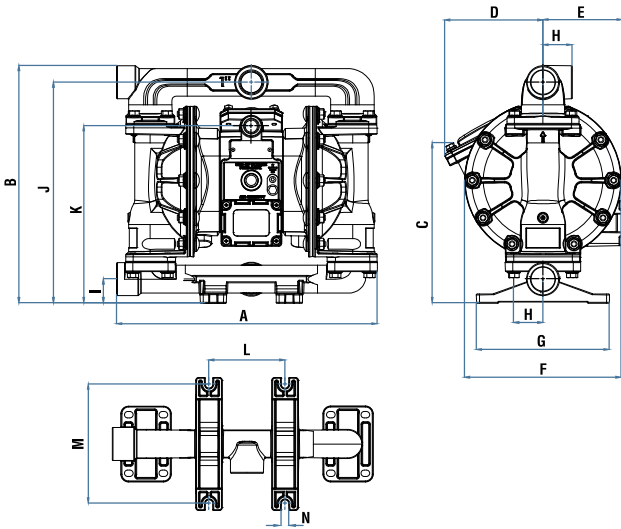
* **ATEX Certified pumps** for use in hazardous locations ATEX Group II 2GDx.

Hytrel® is a registered trademark of the DuPont Company, Viton® & Teflon® of the Chemours Company and Santoprene® of the Monsanto Company, licensed for Advanced Elastomer Systems, L.P. Kynar® is a registered trademark of Arkema, Inc.

UP10 PIVOT SERIES, 1" METALLIC PUMPS

Aluminium threaded pumps

Stainless steel threaded pumps



DIMENSIONS (mm)

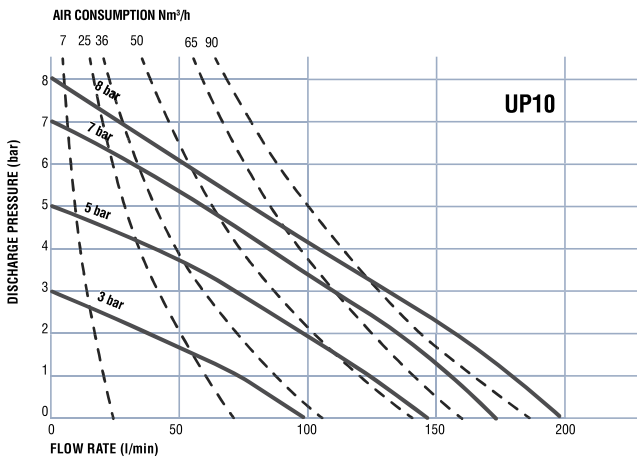
UP10 ALUMINIUM & STAINLESS STEEL PUMP

A	B	C	D	E	F	G	H	I	J	K	L	M	N
348	317	214	131	106	209	177	39	32	295	237	102	159	10

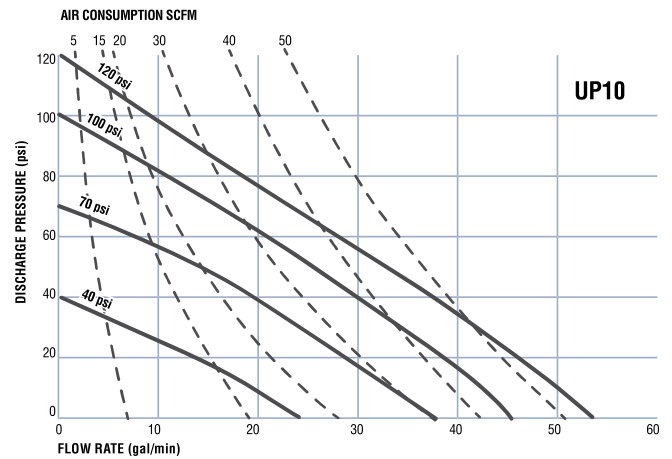
DIMENSIONS (inches)

UP10 ALUMINIUM & STAINLESS STEEL PUMP

A	B	C	D	E	F	G	H	I	J	K	L	M	N
13.70	12.48	8.43	5.16	4.17	8.23	6.97	1.54	1.26	11.61	9.33	4.02	6.26	0.39



Performance charts with water at room temperature (20 °C - 70 °F)



Performance charts with water at room temperature (20 °C - 70 °F)

AVAILABLE VERSIONS

THREADED PUMPS

