

UP10 PIVOT SERIES 1" NON-METALLIC PUMPS

The 1" (25 mm) Air Operated Diaphragm Pumps made of injected moulded plastic parts can reach a flow rate up to 200 l/min (52 gal/min). They are available in Natural or Conductive Polypropylene and PVDF for optimum fluid compatibility.

Pumps are available with either side off-set or central flanged or threaded inlet and outlet ports. Manifolds can rotate 180° for maximum pump installation versatility.



Polypropylene version

Non contractual pictures.

MAIN APPLICATIONS

- OIL & GAS/PETROCHEMICAL
- MINING & CONSTRUCTION
- PULP & PAPER
- CHEMICAL PLANT PROCESSING
- PAINTS & COATINGS
- TEXTILES, LEATHERS & GARMENTS
- PLANT AND MECHANICAL ENGINEERING
- WASTEWATER & WATER TREATMENT
- MARINE
- CERAMICS
- ENERGY
- ELECTRONICS

TECHNICAL DATA

UP10 NON-METALLIC PUMPS

Pressure Ratio	1:1	
Maximum Free Delivery	200 l/min (53 US gal/min)	
Air pressure range	1,5 to 7 bar (20 to 100 psi)	
Solids in suspension, Max. size	6,4 mm (1/4")	
Max dry suction lift	5 m (16')	
Max wet suction lift	8 m (26')	
Displacement per cycle*	0,85 l (0,2 gal)	
Fluid inlet/outlet ports (Female)	1" BSP or NPT (F) Threaded FLANGE DIN DN25 / ANSI 1"	
Air Inlet Port (Female)	1/2" NPSM (F)	
Air Exhaust Port (Female)	1" NPT (F)	
Sound level	75 dB (A) @50 cycles/min @70 psi	
Weight	Threaded	Flanged
Polypropylene version	10,2 kg (22.5 lb)	10,5 kg (23.1 lb)
Conductive Polypropylene version	11,6 kg (25.6 lb)	12 kg (26.4 lb)
PVDF version	13,5 kg (29.8 lb)	14,1 kg (31,1 lb)

* Delivery per cycle depends on the diaphragms material, air inlet pressure and fluid viscosity.

PUMP NOMENCLATURE

Examples: **UP10B-XXX-XXX**
UE10B-XXX-XXX-X

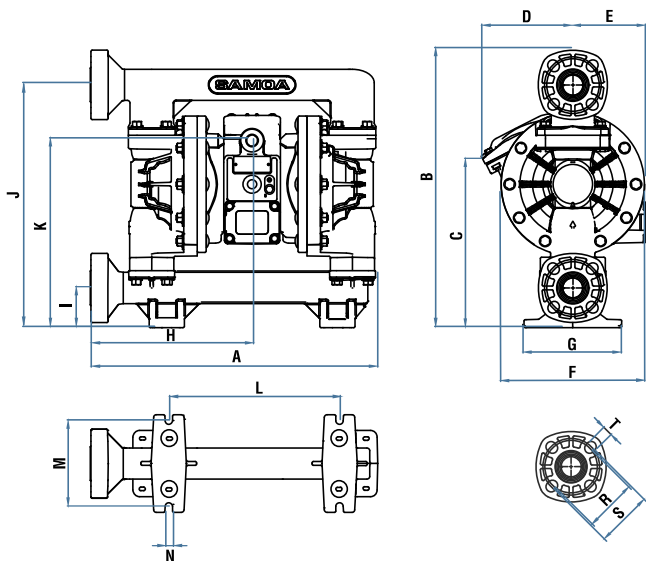
UP10B		XXX			XXX			X
PUMP TYPE	AIR MOTOR	HOUSINGS			WETTED PARTS		ACCESSORIES	
1 Pump Type & Size	2 Central Body & Air Chambers	3 Fluid Ports / Location Multiport manifolds: central or lateral	4 Fluid Chambers & Manifolds	5 Hardware Bolts & Inserts	6 Valve Seats	7 Valve Balls	8 Diaphragms Type & Material	9 Accessories (UE pumps only)
UP10 Universal Pump (Bolted) UE10 Universal Pump (Bolted) with electronic interface	ATEX Certified B* = Conductive Polypropylene (black)	Central ports C = 1" ANSI/DIN flanged ports B = 1" BSP threaded ports N = 1" NPT threaded ports Lateral ports F = 1" ANSI/DIN flanged ports P = 1" BSP threaded ports T = 1" NPT threaded ports	P = Polypropylene (white) W = PVDF (Kynar®) (white) ATEX Certified B* = Conductive Polypropylene (black)	S = Stainless Steel	P = Polypropylene T = PTFE (Teflon®)	H = Hytrel® M = Santoprene® N = Nitrile (Buna-N) T = PTFE (Teflon®) V = FKM (Viton®)	A = Santoprene® C = Hytrel® G = Nitrile (Buna-N) V = FKM (Viton®) Two piece Z = PTFE (Teflon® with Santoprene® backer)	A = Diaphragm leak detectors B = Diaphragm leak detectors (ATEX) C = Stroke sensor D = Stroke sensor (PLC) E = Stroke sensor (ATEX) F = Diaphragm leak detectors + Stroke sensor G = Diaphragm leak detectors + Stroke sensor (PLC) H = Diaphragm leak detectors + Stroke sensor (ATEX)

* **ATEX Certified pumps** for use in hazardous locations ATEX Group II 2GDx.

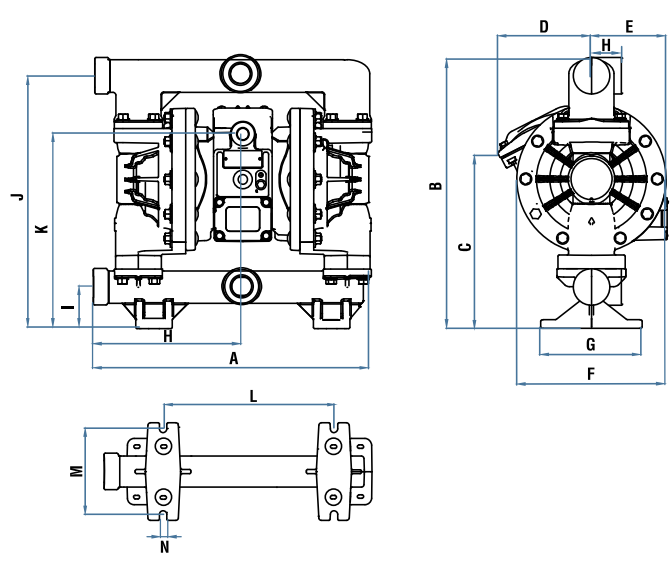
Hytrel® is a registered trademark of the DuPont Company, Viton® & Teflon® of the Chemours Company and Santoprene® of the Monsanto Company, licensed for Advanced Elastomer Systems, L.P. Kynar® is a registered trademark of Arkema, Inc.

UP10 PIVOT SERIES, 1" NON-METALLIC PUMPS

Non-metallic lateral ports pumps



Non-metallic central ports pumps

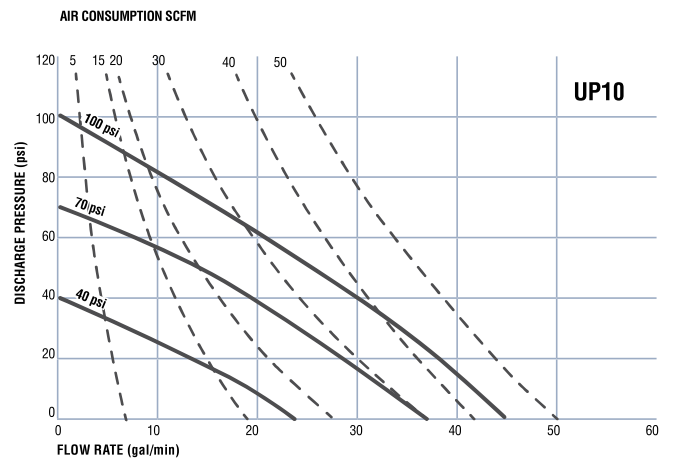
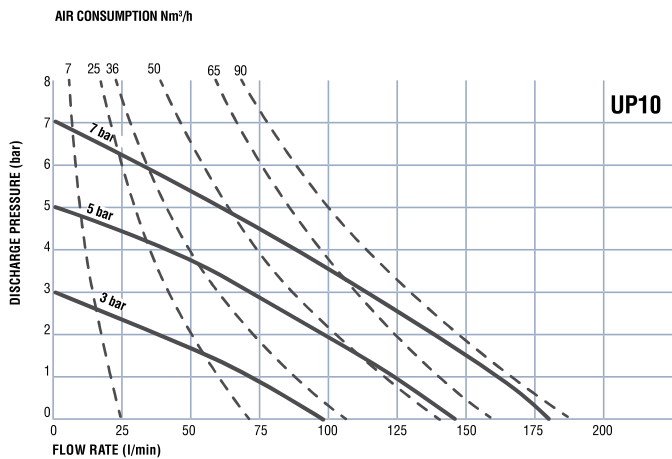


DIMENSIONS (mm)

	A	B	C	D	E	F	G	H	I	J	K	L	M	N	R	S	T
UP10 LATERAL-FLANGED PUMP	425	415	250	135	108	214	146	241	59	363	280	255	128	11	77,5	83,5	15
UP10 CENTRAL-FLANGED PUMP	399							56									
UP10 LATERAL-THREADED PUMP	399	386	250	135	108	214	146	211	59	363	280	255	128	11			
UP10 CENTRAL-THREADED PUMP								40									

DIMENSIONS (inches)

	A	B	C	D	E	F	G	H	I	J	K	L	M	N	R	S	T
UP10 LATERAL-FLANGED PUMP	16.73	16.34	9.84	5.32	4.25	8.43	5.75	9.49	2.32	14.29	11.02	10.04	5.04	0.43	3.05	3.29	0.59
UP10 CENTRAL-FLANGED PUMP	15.71							2.21									
UP10 LATERAL-THREADED PUMP	15.71	15.20	9.84	5.32	4.25	8.43	5.75	8.31	2.32	14.29	11.02	10.04	5.04	0.43			
UP10 CENTRAL-THREADED PUMP								1.58									



AVAILABLE VERSIONS

FLANGED PUMPS



Polypropylene

Conductive Polypropylene

PVDF

THREADED PUMPS



Polypropylene

Conductive Polypropylene

PVDF