

UP20 PIVOT SERIES 2" METALLIC PUMPS

The 2" (51 mm) Air Operated Double Diaphragm Pumps made of cast metal can reach a flow rate of up to 650 l/min (172 gal/min) and they offer a wide range of construction materials and porting configurations. The pump design ensures high abrasion resistance when pumping abrasive media and low flow resistance.

Central threaded or flanged inlet and outlet ports available. Manifolds can rotate 180° for maximum pump installation versatility.

MAIN APPLICATIONS

- CERAMIC & PORCELAIN
- PAINT & VARNISH INDUSTRY
- OIL & GAS / PETROCHEMICAL
- WASTE WATER / WATER TREATMENT
- MARINE & SHIPBUILDING
- FILTER PRESS
- MINING & CONSTRUCTION
- CHEMICAL / PROCESSING
- PULP AND PAPER / CARDBOARD



Non contractual pictures.

Aluminium version

TECHNICAL DATA

UP20 METALLIC PUMPS

Pressure Ratio	1:1	
Maximum Free Delivery	650 l/min (172 US gal/min)	
Air pressure range	1,5 to 8 bar (20 to 120 psi)	
Solids in suspension, Max. size	6,4 mm (1/4")	
Max dry suction lift	5 m (16')	
Max wet suction lift	8 m (26')	
Displacement per cycle*	4,5 l (1.2 gal)	
Fluid inlet/outlet ports (Female) (Female)	2" NPT (F) Threaded 2" BSP (F) Threaded 2" ANSI/DIN Flanged	
Air Inlet Port (Female)	3/4" NPT (F)	
Air Exhaust Port (Female)	1 1/2" NPT (F)	
Sound level	85 dB (A) @ 50 cycles/min @ 70 psi	
Weight	Theaded	Flanged
Aluminium version	46 kg (101 lb)	48 kg (106 lb)
Ductile Iron version	74 kg (163 lb)	78 kg (172 lb)
Stainless Steel version	76 kg (168 lb)	82 kg (181 lb)

* Delivery per cycle depends on the diaphragms material, air inlet pressure and fluid viscosity.

PUMP NOMENCLATURE

Examples: **UP20X-XXX-XXX**
UE20X-XXX-XXX-X

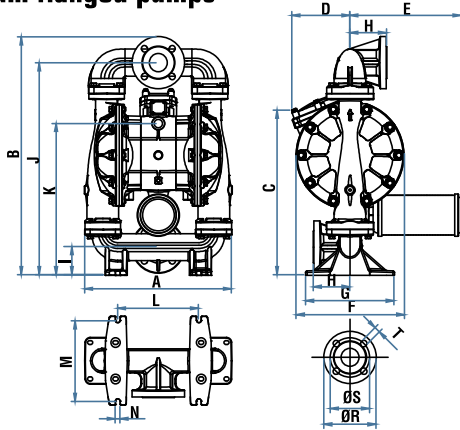
UP20X		XXX			XXX			X
PUMP TYPE		AIR MOTOR	HOUSINGS		WETTED PARTS			ACCESSORIES
1 Pump Type & Size	2 Central Body & Air Chambers	3 Fluid Ports / Location	4 Fluid Chambers & Manifolds	5 Hardware Bolts	6 Valve Seats	7 Valve Balls	8 Diaphragms Type & Material	9 Accessories (UE pumps only)
UP20 Universal Pump (Bolted) UE20 Universal Pump (Bolted) with electronic interface	ATEX Certified A* = Aluminium L* = Conductive polypropylene with Stainless Steel air chambers S* = AISI 316 Stainless Steel	B = 2" BSP Threaded Ports / Centre horizontal C = 2" ANSI/ DIN Flanged Ports / Centre Horizontal N = 2" NPTF Threaded Ports / Centre Horizontal	ATEX Certified A* = Aluminium F* = Ductile Iron S* = Stainless Steel	C = Carbon Steel S = Stainless Steel	A = Aluminium D = AISI 440 Hardened Stainless Steel H = Hytrel® M = Santoprene® N = Nitrile (Buna-N) S = AISI 316 Stainless Steel	H = Hytrel® M = Santoprene® N = Nitrile (Buna-N) T = PTFE (Teflon®) V = FKM (Viton®)	Conventional A = Santoprene® C = Hytrel® G = Nitrile (Buna-N) V = FKM (Viton®) Two-piece Z = PTFE (Teflon® with Santoprene® backer) Overmolded H = Hytrel® N = Nitrile (Buna-N) T = PTFE / EPDM (Bonded)	A = Diaphragm leak detectors B = Diaphragm leak detectors (ATEX) C = Stroke sensor D = Stroke sensor (PLC) E = Stroke sensor (ATEX) F = Diaphragm leak detectors + Stroke sensor G = Diaphragm leak detectors + Stroke sensor (PLC) H = Diaphragm leak detectors + Stroke sensor (ATEX)

* **ATEX Certified pumps** for use in hazardous locations ATEX Group II 2GDx.

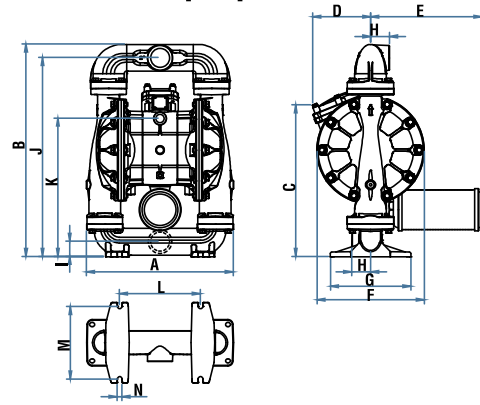
Hytrel® is a registered trademark of the DuPont Company, Viton® & Teflon® of the Chemours Company and Santoprene® of the Monsanto Company, licensed for Advanced Elastomer Systems, L.P. Kynar® is a registered trademark of Arkema, Inc.

UP20 PIVOT SERIES, 2" METALLIC PUMPS

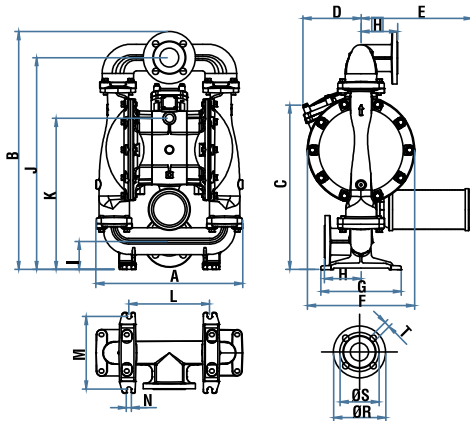
Aluminium flanged pumps



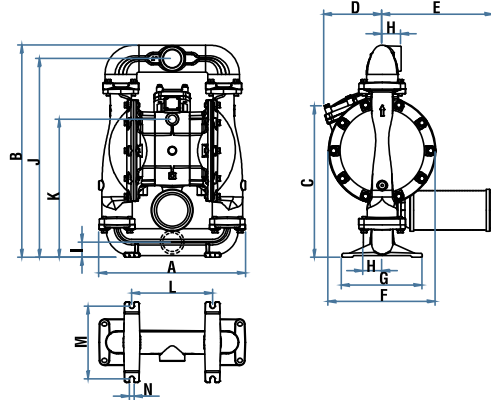
Aluminium threaded pumps



Stainless steel / Iron flanged pumps

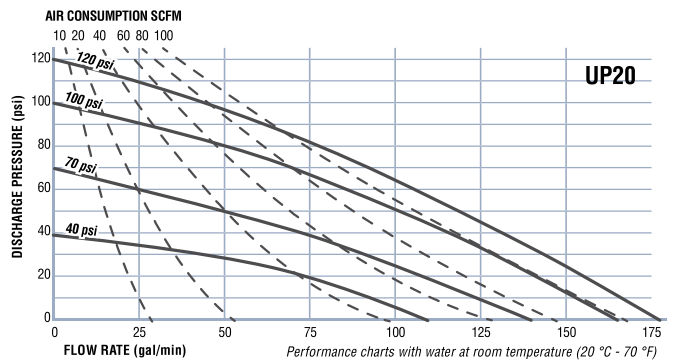
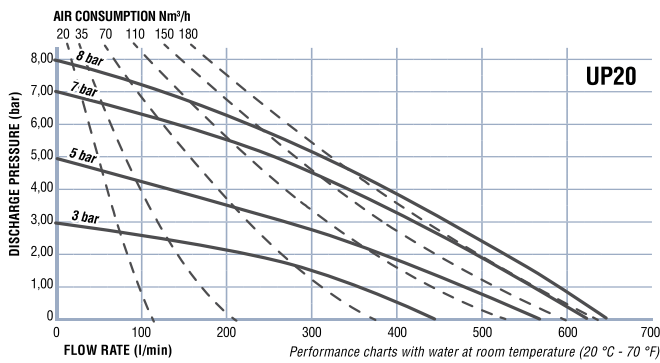


Stainless steel / Iron threaded pumps



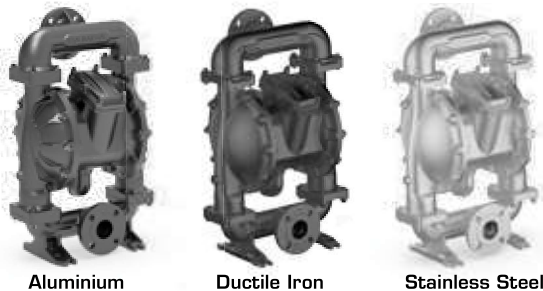
DIMENSIONS (mm)	A	B	C	D	E	F	G	H	I	J	K	L	M	N	R	S	T
UP20 FLANGED PUMP	465	754	521	184	353	340	255	116	89	671	479	256	230	15	165	120,6-125	19
UP20 THREADED PUMP	465	672	480	184	353	340	255	60	48	630	438	256	230	15	-	-	-

DIMENSIONS (inches)	A	B	C	D	E	F	G	H	I	J	K	L	M	N	R	S	T
UP20 FLANGED PUMP	18.31	29.61	20.51	7.24	13.90	13.39	10.04	4.57	3.50	26.42	18.86	10.08	9.05	0.59	6.50	4.74-4.92	3/4"
UP20 THREADED PUMP	18.31	26.46	18.90	7.24	13.90	13.39	10.04	2.36	1.89	24.80	17.24	10.08	9.05	0.59	-	-	-



AVAILABLE VERSIONS

FLANGED PUMPS



THREADED PUMPS

